

Comment

Pool Pump Controller: Allows you to turn pump on or off in once of three ways:

1. Manually by push buttons
2. Scheduled run using weekly timer
3. Over ethernet by writing bits to NI1 (start) and NI2 (stop)

Creator:	Sumit Birla	Project:	Pool Pump Controller	Customer:	
Checked:		Installation:		Diagram No.:	
Date:	7/30/19 9:50 PM/10/23/19 11:03 PM	File:		Page:	1 / 7

Module Address

IP Address 10.0.9.5
Subnet Mask: 255.255.255.0
Default gateway 10.0.9.1

Connection1 (Server)

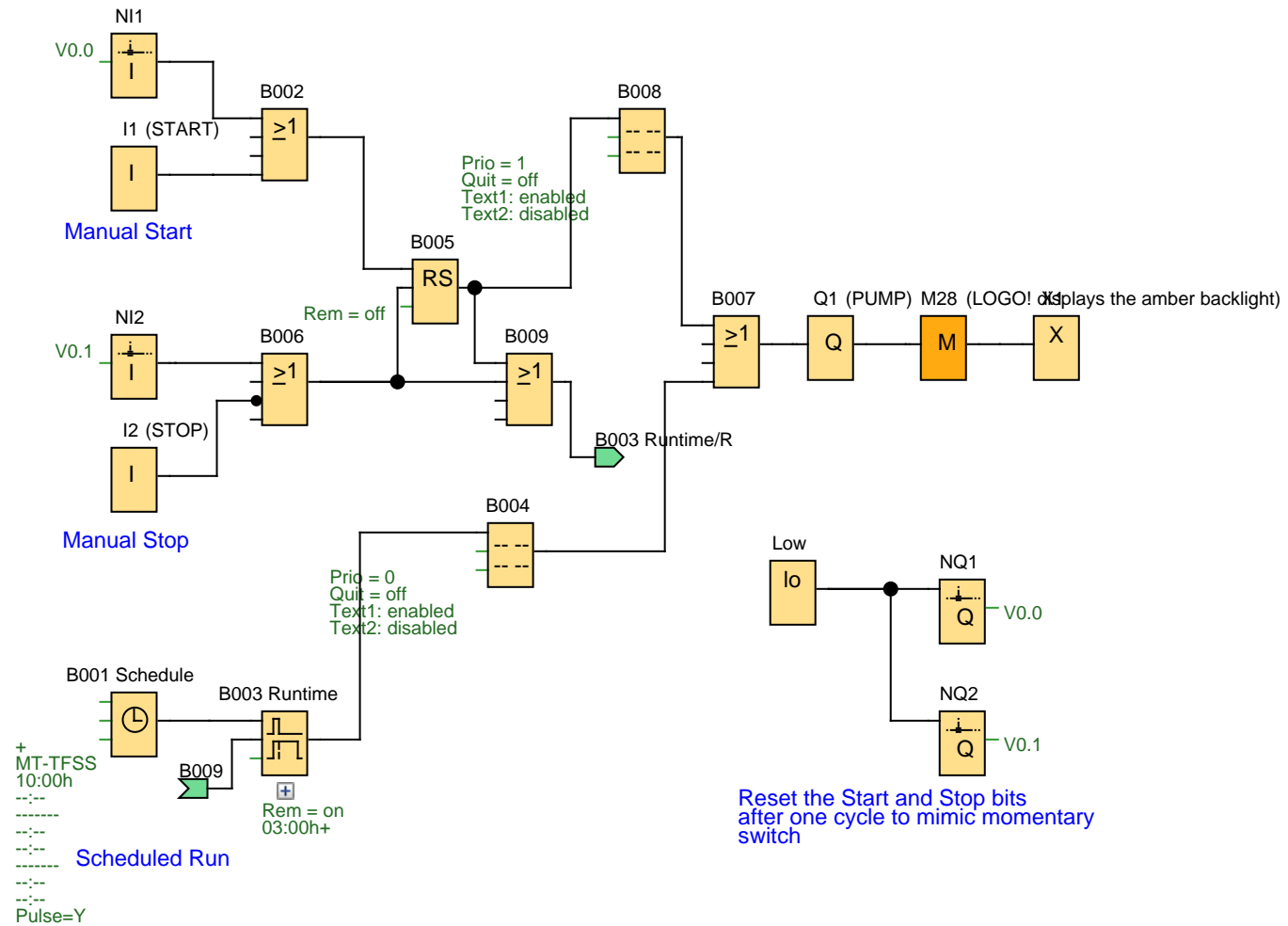
Local Properties(Server)
TSAP: 20.00
Accept all connection requests
Remote Properties(Client)
TSAP: 30.00

Creator:	Sumit Birla	Project:	Poop Pump Controller	Customer:	
Checked:		Installation:		Diagram No.:	
Date:	7/30/19 9:50 PM/10/23/19 11:03 PM	File:		Page:	2 / 7

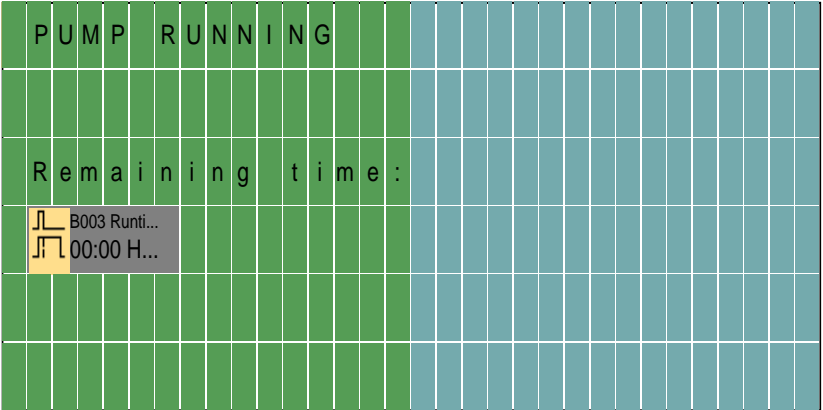
Parameter VM Mapping

ID	Block	Parameter	Type	Address
1	B003 Runtime [Off-Delay]	Off-Delay	Word	2
2	B001 Schedule [Weekly Timer]	On Time1	Word	4
3	B001 Schedule [Weekly Timer]	Weekday1	Byte	7

Creator:	Sumit Birla	Project:	Poop Pump Controller	Customer:	
Checked:		Installation:		Diagram No.:	
Date:	7/30/19 9:50 PM/10/23/19 11:03 PM	File:		Page:	3 / 7



Creator:	Sumit Birla	Project:	Poop Pump Controller	Customer:	
Checked:		Installation:		Diagram No.:	
Date:	7/30/19 9:50 PM/10/23/19 11:03 PM	File:		Page:	4 / 7

Block Number (Type)	Parameter
B001 Schedule(Weekly Timer) :	+ MT-TFSS 10:00h ----- -:- -:- ----- -:- -:- Pulse=Y
B003 Runtime(Off-Delay) :	Rem = on 03:00h+
B004(Message texts) : 	Prio = 0 Quit = off Text1: enabled Text2: disabled Ticker setting - CBC - Line1: N - Line2: N - Line3: N - Line4: N - Line5: N - Line6: N Message Destination - LOGO! Display
B005(Latching Relay) :	Rem = off

Creator:	Sumit Birla		Project:	Poop Pump Controller	Customer:	
Checked:			Installation:		Diagram No.:	
Date:	7/30/19 9:50 PM/10/23/19 11:03 PM		File:		Page:	5 / 7

Block Number (Type)

Parameter

B008(Message texts) :

P	U	M	P	R	U	N	N	I	N	G										
M	A	N	U	A	L	M	O	D	E											

Prio = 1
Quit = off
Text1: enabled
Text2: disabled
--> Ticker setting
- CBC
- Line1: N
- Line2: N
- Line3: N
- Line4: N
- Line5: N
- Line6: N
Message Destination
- Both

Creator:	Sumit Birla	Project:	Poop Pump Controller	Customer:	
Checked:		Installation:		Diagram No.:	
Date:	7/30/19 9:50 PM/10/23/19 11:03 PM	File:		Page:	6 / 7

Connection	Label
I1	START
I2	STOP
NI1	
NI2	
M28	LOGO! displays the amber backlight
NQ1	
NQ2	
Q1	PUMP
X1	

Creator:	Sumit Birla	Project:	Poop Pump Controller	Customer:	
Checked:		Installation:		Diagram No.:	
Date:	7/30/19 9:50 PM/10/23/19 11:03 PM	File:		Page:	7 / 7